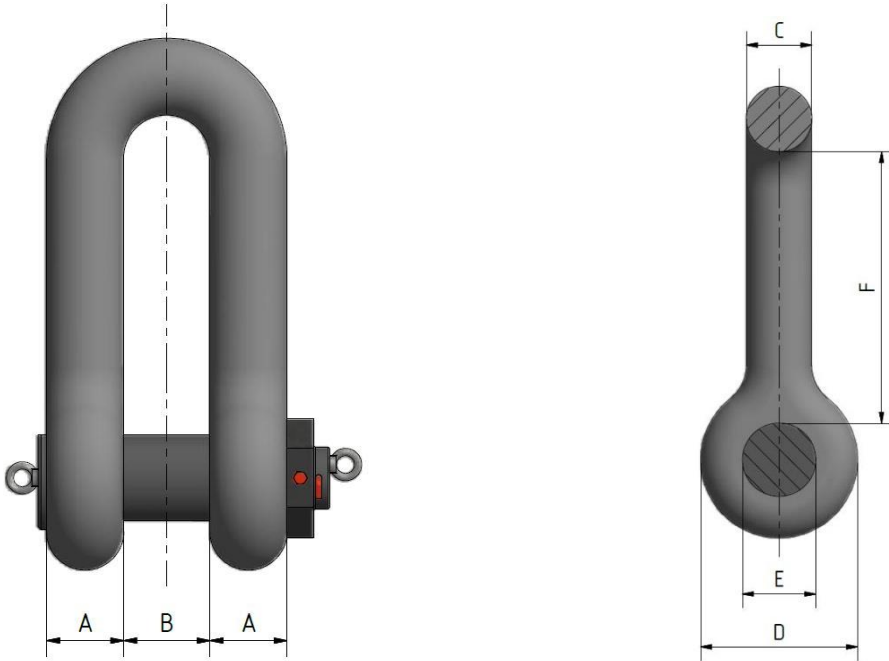


Shackles



End Joining Shackle

Offshore accessory to be used for Temporary and Mobile Mooring



chain dia.	A	B	C	D	E	F
d	1,2 x d	1,4 x d	1,2 x d	2,8 x d	1,4 x d	5,2 x d

Application: Temporary and Mobile Mooring

Manufactured & Tested: in Germany by Feubo

Material: Forged Steel – all grades R3 - R5